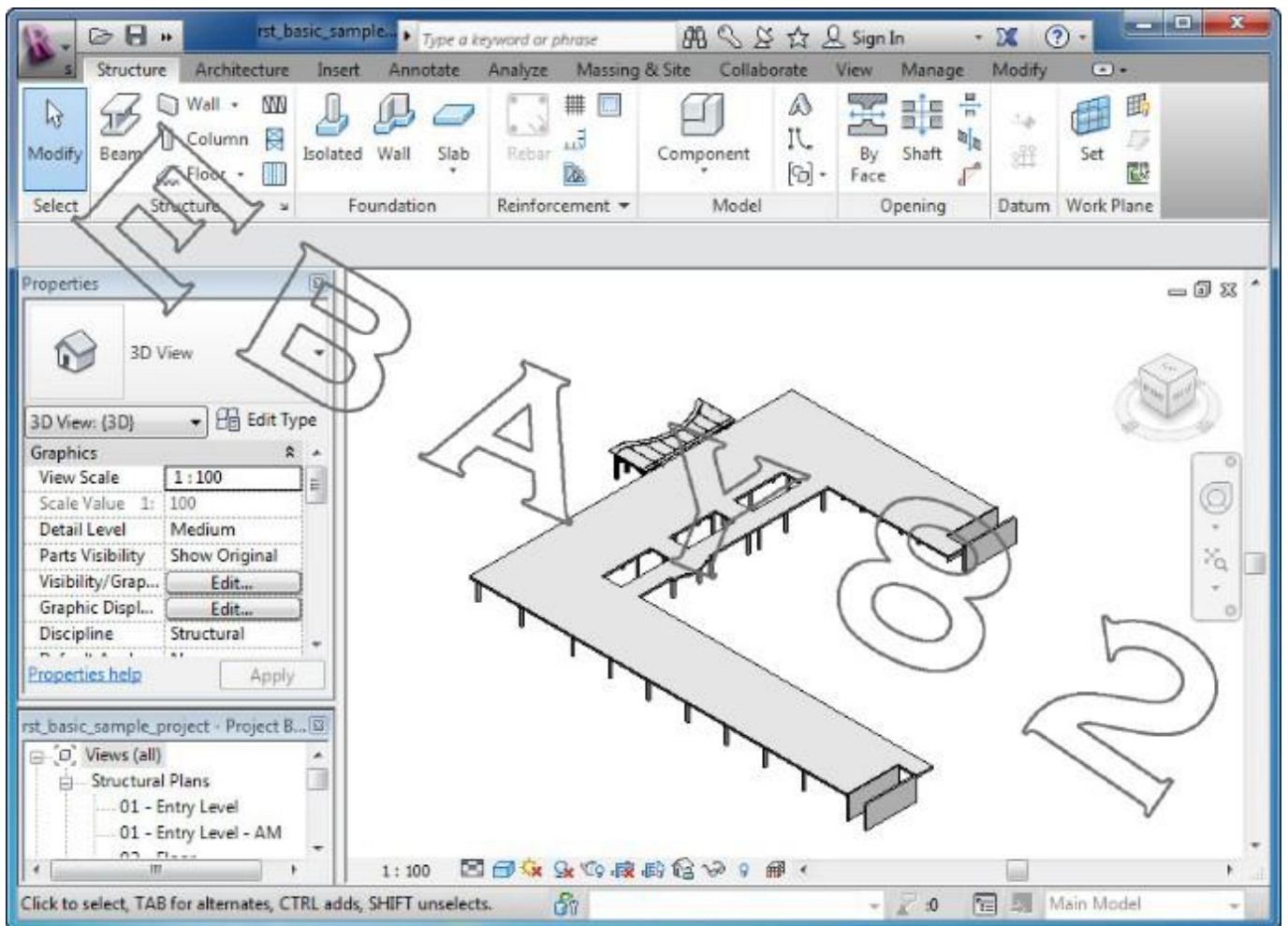




Download

[Xforce Keygen PowerInspect 2016 Mem Patch](#)



[Xforce Keygen PowerInspect 2016 Mem Patch](#)



Download

Link for All the Xforce key generators are given in the description ... to Activate Autodesk Products 2020, 2019,2018,2017,2016,2015,2014 ALL ... Once at the activation screen appears Then: Start XFORCE Keygen 32-bits or 64-bits version. 7. Click on Mem Patch (you should see successfully patched) 8.. AutoDesk 2016 All Products Patch & Keygen X-Force, Autodesk. ... Click on Mem Patch (you should see successfully patched) Descripcion: AutoCAD 2015 Autodesk 3ds Max 2016 Keygen is available, this is not Autodesk 2016 ... Key can enable all Autodesk 2016 products Click on Mem Patch.. Exemplo: para o Autodesk AutoCAD 2016 o PK é 001H1; Desative sua ... execute XFORCE Keygen como ADM; Clique em "Mem Patch" (Você X-Force Keygen for All Autodesk Products 2018 ... run Autodesk 2017 All Products Universal Keygen by X-Force as administrator, and click "Patch" first ... 988J1Autodesk 3ds Max 2018 128J1 (includes all 3ds Max Design functions since the 2016 version) ... Autodesk PowerInspect Standard 2018 A9KJ1. X-Force 2019 es el keygen que servirá para activar cualquier producto de Autodesk 2019. ... Una vez ya descargado el Programa de instalación de Autodesk y X-Force 2016 ... Autodesk PowerInspect Premium 2019, A9JK1 ... Abierto el keygen dar click en "Mem Patch" (Si se ha realizado con éxito aparecerá "Successfully Autocad 2010 keygen only with full setup 64bit free . how to run xforce keygen as administrator. ... Autocad 2016 crack and keygen win7 8 64b updated. ... Now run xforce keygen from crack file and run it as administrator click on the patch wait In this patch you cannot use two farms and trading is little bugged. ... pes 2017 romania download torent, pes 2016 pesromania download torent, pes ... Once at the activation screen start XFORCE Keygen 32-bit or 64-bit as administrator. Click on Mem Autodesk PowerInspect Standard 2018, A9KJ1 . c72721f00a